



STOKES

Appliance Parts

Service Manual

Switches Section H

Includes:

Toggle Switches, Rocker Switches,
Indicators, Micro Switches and
Push Switches

Stokes Appliance Parts - National Administration Centre

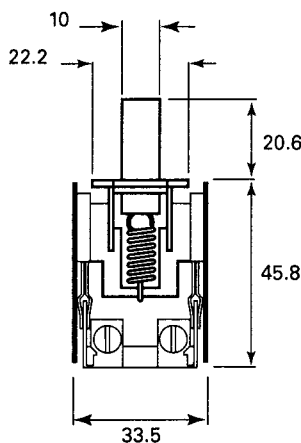
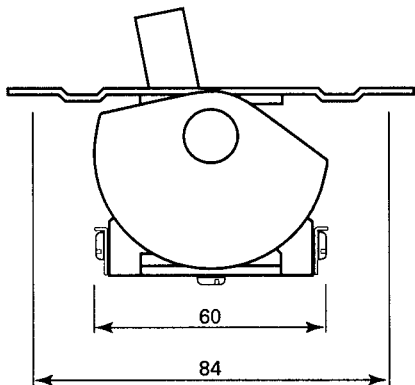
24 Palmerston Road West, Ringwood, Victoria 3134, Australia

Ph: 61 3 9872 7474 Fax: 61 3 9872 7400 Freecall: 1800 333 191

E-mail: parts@stokes-aus.com.au Web: www.stokesap.com.au

Arrow Hart
TOGGLE SWITCHES
INDUSTRIAL HEAVY DUTY

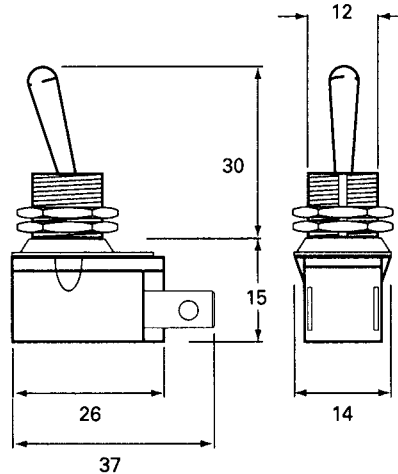
Hole size: 27 x 10mm.



- 106MKAS
30A OFF-ON D.P.S.T.
Side connecting terminals
Metal Roller Lever
- 106MS
30A OFF-ON D.P.S.T.
Side connecting terminals
Moulded On Off Lever
- 107PS
20A ON-ON S.P. 2 Circuit
Side connecting terminals
Plain moulded Lever

79 Series

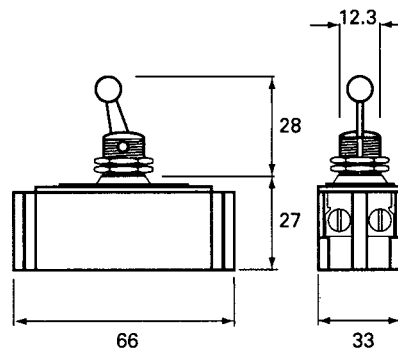
Hole size: 12mm diameter.



- 79043BT
4A OFF-ON S.P.S.T.
Standard Lever Spade 6.3mm
- 79043G
4A OFF-ON S.P.S.T.
Long Lever Spade 6.3mm
- 79047BT
4A OFF-ON S.P.S.T.
Standard Lever Screw
- 79047G
4A OFF-ON S.P.S.T.
Long Lever Screw

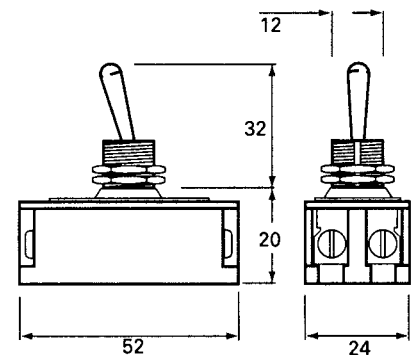
80 Series

Hole size: 12.3mm diameter.



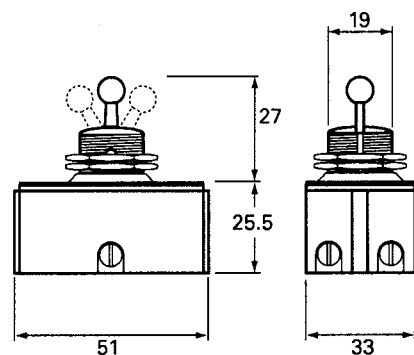
- 80421
20A OFF-ON D.P.S.T. Screw

Hole size: 12mm diameter.



- 80602BT
10A ON-OFF D.P.S.T.
Long Lever Screw

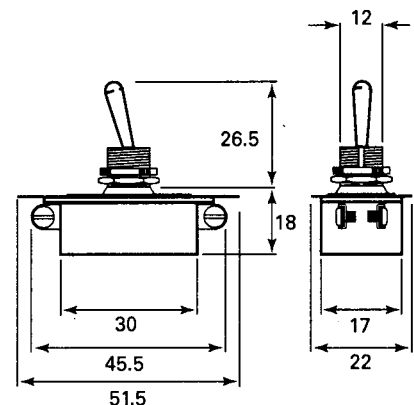
Hole size: 19mm diameter.



- 80638
7A ON-OFF-ON D.P.D.T. Screw

81 Series

Hole size: 12mm diameter.

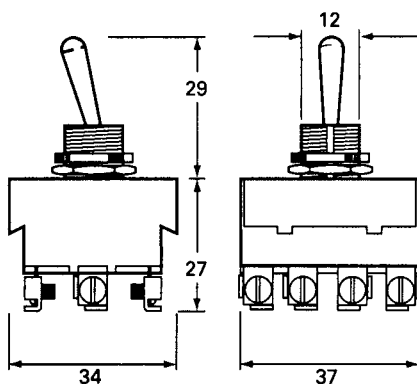
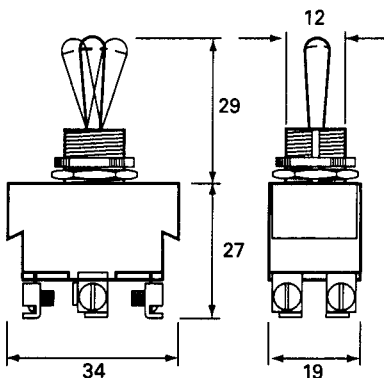
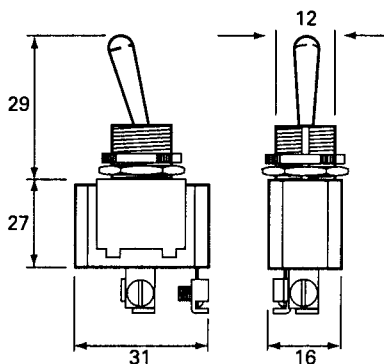


- 81047BT
3A OFF-ON S.P.S.T. Screw
- 81053BT
3A ON-ON S.P.D.T. Screw
- 81055BT
3A OFF-ON D.P.S.T. Spade

81056BT
3A OFF-ON D.P.S.T. Screw
81058BT
3A ON-ON D.P.D.T. Spade
81059BT
3A ON-ON D.P.D.T. Screw

93A Series

Hole size: 12mm diameter.



93A.101A
10A ON-OFF-ON S.P.D.T.
Screw

93A.101B
10A ON-OFF-ON S.P.D.T.
Solder

93A.101E
10A ON-OFF-ON S.P.D.T.
Spade

93A.102A
10A ON-OFF-ON D.P.D.T.
Screw

93A.102B
10A ON-OFF-ON D.P.D.T.
Solder

93A.102E
10A ON-OFF-ON D.P.D.T.
Spade

93A.105A
10A ON-OFF-ON S.P. 2-Circuit
Screw

93A.105E
10A ON-OFF-ON S.P. 2-Circuit
Spade

93A.106A
10A ON-OFF-ON (REV.)
D.P.(REV.) Screw

93A.106E
10A ON-OFF-ON (REV.)
D.P.(REV.) Spade

93A.111A
10A OFF-ON (A)-ON(A&B) S.P.
2-Circuit collective Screw

93A.111E
10A OFF-ON (A)-ON(A&B) S.P.
2-Circuit collective Spade

93A.116A
10A ON-OFF-ON T.P.D.T. Screw

93A.116B
10A ON-OFF-ON T.P.D.T. Solder

93A.116E
10A ON-OFF-ON T.P.D.T. Spade

93A.120A
10A ON-OFF-ON F.P.D.T. Screw

93A.120E
10A ON-OFF-ON F.P.D.T. Spade

93A.121A
10A ON(A)-ON(B)-ON(C) S.P.
3-Circuit selective Screw

93A.121E
10A ON(A)-ON(B)-ON(C) S.P.
3-Circuit Spade

93A.122A
10A ON(A)-ON(A&B)-ON(B)
S.P. 2-Circuit
collective/selective Screw

93A.123A
10A OFF-ON (A)-ON(B) S.P.
2-Circuit selective Screw

93A.123E
10A OFF-ON (A)-ON(B) S.P.
2-Circuit selective Spade

93A.129B
10A ON-ON selective Circuit
Solder

93A.129E
10A ON-ON selective Circuit
Spade

93A.17101A
10A ON-OFF-ON S.P.D.T.
Screw

93A.17101E
10A ON-OFF-ON S.P.D.T.
Spade

93A.17123
10A OFF-ON (A)-ON(B) S.P.
2-Circuit collective A17 Lever

93A.17206
10A ON (A)OFF-ON(B)
BIAS ONE WAY DP REV

93A.17301
10A ON-OFF-ON
BIAS BOTH WAYS S.P.D.T.

93A.17402E
10A ON-ON D.P.D.T. A17 Lever
Spade

93A.17403A
10A OFF-ON S.P.D.T. A17 Lever
Screw

93A.19403A
10A OFF-ON S.P.S.T. A19 Lever
Screw

93A.19403E
10A OFF-ON S.P.S.T. A19 Lever
Spade

93A.19404A
10A OFF-ON D.P.S.T. A19 Lever
Screw

93A.19404E
10A OFF-ON D.P.S.T. A19 Lever
Spade

93A.201A
10A MOM. ON-OFF-ON
S.P.D.T. 3 position Screw

93A.201B
10A MOM. ON-OFF-ON
S.P.D.T. 3 position Solder

93A.201E
10A MOM. ON-OFF-ON
S.P.D.T. 3 position Spade

93A.202A
10A MOM. ON-OFF-ON
D.P.D.T. Screw

93A.202B
10A MOM. ON-OFF-ON
D.P.D.T. Solder

93A.202E
10A MOM. ON-OFF-ON
D.P.D.T. Spade

93A.205A
10A MOM. ON(A)-OFF-ON(B)
S.P.S.T. 2 -Circuit Screw

93A.205E
10A MOM. ON(A)-OFF-ON(B)
S.P.S.T. 2 -Circuit Spade

93A.206A
10A MOM. ON-OFF-ON(REV.)
D.P. (REV.) Screw

93A.206E
10A MOM. ON-OFF-ON(REV.)
D.P. (REV.) Spade

93A.216A
10A ON-OFF-MOM. ON T.P.D.T.
Screw

93A.220A
10A ON-OFF-MOM. ON F.P.D.T.
Screw

93A.225E
10A OFF-ON (A)-MOM
ON(A&B) S.P. 2-Circuit Spade

93A.301A
10A MOM. ON-OFF-MOM. ON
S.P.D.T. 3 pos. Screw

93A.301B
10A MOM. ON-OFF-MOM. ON
S.P.D.T. 3 pos. Solder

93A.301E
10A MOM. ON-OFF-MOM. ON
S.P.D.T. 3 pos. Spade

93A.302A
10A MOM. ON-OFF-MOM. ON
D.P.D.T. Screw

93A.302B
10A MOM. ON-OFF-MOM. ON
D.P.D.T. Solder

93A.302E
10A MOM. ON-OFF-MOM. ON
D.P.D.T. Spade

93A.305A
10A MOM. ON(A)-OFF-MOM.
ON(B) S.P. 2-Circuit Screw

93A.305B
10A MOM. ON(A)-OFF-MOM.
ON(B) S.P. 2-Circuit Solder

93A.305E
10A MOM. ON(A)-OFF-MOM.
ON(B) S.P. 2-Circuit Spade

93A.306A
10A MOM. ON-OFF-MOM.
ON(REV.) D.P. (REV.) Screw

93A.306E
10A MOM. ON-OFF-MOM.
ON(REV.) D.P. (REV.) Spade

93A.316A
10A MOM. ON-OFF-MOM. ON
T.P.D.T. Screw

93A.320A
10A MOM. ON-OFF-MOM. ON
F.P.D.T. Screw

93A.401A
10A ON-ON S.P.D.T. Screw

93A.401B
10A ON-ON S.P.D.T. Solder

93A.401E
10A ON-ON S.P.D.T. Spade

93A.402A
10A ON-ON D.P.D.T. Screw

93A.402B
10A ON-ON D.P.D.T. Solder

93A.402E
10A ON-ON D.P.D.T. Spade

93A.403A
10A OFF-ON S.P.S.T. Screw

93A.403B
10A OFF-ON S.P.S.T. Solder

93A.403E
10A OFF-ON S.P.S.T. Spade

93A.404A
10A OFF-ON D.P.S.T. Screw

93A.404B
10A OFF-ON D.P.S.T. Solder

93A.404E
10A OFF-ON D.P.S.T. Spade

93A.405A
10A ON (A)- ON(B) S.P.
2-Circuit Screw

93A.406A
10A ON-ON(REV.) D.P. (REV.)
Screw

93A.406E
10A ON-ON(REV.) D.P. (REV.)
Spade

93A.413A
10A OFF-ON T.P.S.T. Screw

93A.416A
10A ON-ON T.P.D.T. Screw

93A.416E
10A ON-ON T.P.D.T. Spade

93A.417A
10A OFF-ON F.P.S.T. Screw

93A.420A
10A ON-ON F.P.D.T. Screw

93A.420B
10A ON-ON F.P.D.T. Solder

93A.501A
10A MOM.ON-ON S.P.D.T.
Screw

93A.501B
10A MOM.ON-ON S.P.D.T.
Solder

93A.501E
10A MOM.ON-ON S.P.D.T.
Spade

93A.502A
10A MOM.ON-ON D.P.D.T.
Screw

93A.502B
10A MOM.ON-ON D.P.D.T.
Solder

93A.502E
10A MOM.ON-ON D.P.D.T.
Spade

93A.505A
10A ON (A)-MOM. ON(B) S.P.
2-Circuit Screw

93A.505B
10A ON (A)-MOM. ON(B) S.P.
2-Circuit Solder

93A.505E
10A ON (A)-MOM. ON(B) S.P.
2-Circuit Spade

93A.506A
10A MOM.ON-ON (REV.) D.P.
(REV.) Screw

93A.506E
10A MOM.ON-ON (REV.) D.P.
(REV.) Spade

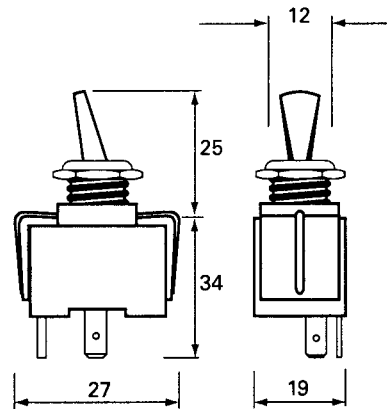
93A.507A
10A OFF-MOM.ON S.P.D.T.
Screw

93A.507B
10A OFF-MOM.ON S.P.D.T.
Solder

- 93A.507E
10A OFF-MOM.ON S.P.D.T.
Spade
- 93A.508A
10A MOM.OFF-ON S.P.S.T.
Screw
- 93A.508B
10A MOM.OFF-ON S.P.S.T.
Solder
- 93A.508E
10A MOM.OFF-ON S.P.S.T.
Spade
- 93A.509A
10A OFF-MOM.ON D.P.S.T.
Screw
- 93A.509E
10A OFF-MOM.ON D.P.S.T.
Spade
- 93A.510A
10A MOM.OFF-ON D.P.S.T.
Screw
- 93A.510B
10A MOM.OFF-ON D.P.S.T.
Solder
- 93A.510E
10A MOM.OFF-ON D.P.S.T.
Spade
- 93A.518A
10A MOM.OFF-ON F.P.S.T.
Screw
- 93A.520A
10A MOM.ON-ON F.P.D.T.
Screw

93FM Series

Hole size: 12mm diameter.

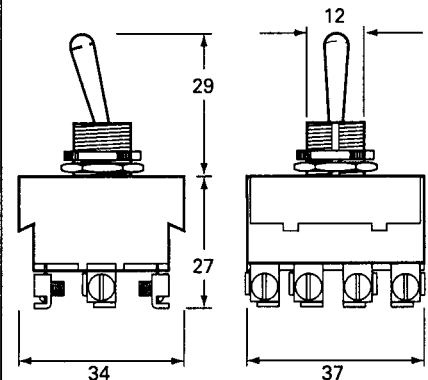


- 93FM.101A
10A ON-OFF-ON S.P.D.T. Screw
- 93FM.101E
10A ON-OFF-ON S.P.D.T. Spade
- 93FM.102A
10A ON-OFF-ON D.P.D.T. Screw
- 93FM.102E
10A ON-OFF-ON D.P.D.T. Spade
- 93FM.202A
10A ON-OFF-MOM.ON D.P.D.T.
Screw
- 93FM.202E
10A ON-OFF-MOM.ON D.P.D.T.
Spade
- 93FM.302A
10A MOM.ON-OFF-MOM.ON
D.P.D.T. Screw
- 93FM.302E
10A MOM.ON-OFF-MOM.ON
D.P.D.T. Spade
- 93FM.401A
10A ON-ON S.P.D.T. Screw
- 93FM.401E
10A ON-ON S.P.D.T. Spade
- 93FM.402A
10A ON-ON D.P.D.T. Screw
- 93FM.402E
10A ON-ON D.P.D.T. Spade
- 93FM.403A
10A OFF-ON S.P.S.T. Screw
- 93FM.403B
10A OFF-ON S.P.S.T. Solder
- 93FM.403E
10A OFF-ON S.P.S.T. Spade

- 93FM.404A
10A OFF-ON D.P.S.T. Screw
- 93FM.404E
10A OFF-ON D.P.S.T. Spade

93XA Series

Hole size: 12mm diameter.

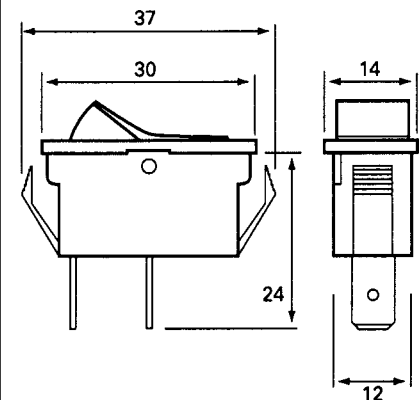


- 93XA.401E
15A ON-ON S.P.D.T.
Spade 6.3mm
- 93XA.402E
15A ON-ON D.P.D.T.
Spade 6.3mm
- 93XA.403E
15A OFF-ON S.P.S.T.
Spade 6.3mm
- 93XA.404E
15A OFF-ON D.P.S.T.
Spade 6.3mm

ROCKERS

HILITE Series

Hole size: 27.3 X 12.2mm.

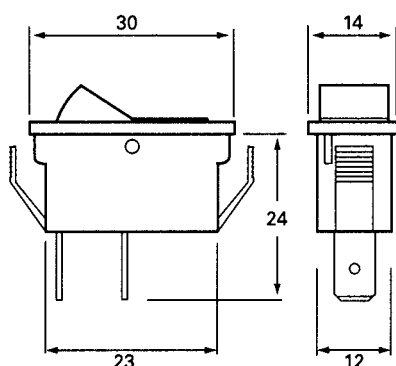


- 1000113E
10A ON-OFF Red S.P.S.T.
"HILITE" Spade 6.3mm

- 1000114E
10A ON-OFF Green S.P.S.T.
"HILITE" Spade 6.3mm
- 1000223E
10A ON-OFF Red S.P.S.T.
"HILITE" Spade 6.3mm
- 1001113B
10A MOM.ON-OFF Red S.P.S.T.
"HILITE" Solder

1600 Series

Hole size: 27.3 X 12.2mm.

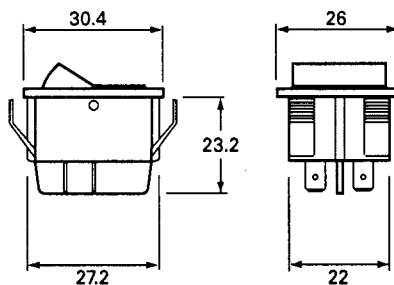


- 1600-11E
16A OFF-ON S.P.S.T.
Black Spade
- 1600-22E
16A OFF-ON S.P.S.T.
White Spade
- 1600-A21E
16A OFF-ON S.P.S.T.
Amber Black Spade
- 1600-R12E
16A OFF-ON S.P.S.T.
Red White Spade
- 1600-R21E
16A OFF-ON S.P.S.T.
Red Black Spade
- 1600-R22E
16A OFF-ON S.P.S.T.
Red White Spade
- 1601-11E
16A MOM.OFF-ON S.P.S.T.
Black Spade
- 1601-22E
16A MOM.OFF-ON ON S.P.S.T.
White Spade
- 1602-11E
16A ON-ON S.P.D.T.
Black Spade

- 1602-12E
16A ON-ON S.P.D.T.
Black Spade
- 1602-22E
16A ON-ON S.P.D.T.
White Spade
- 1603-11E
16A MOM. ON-ON S.P.D.T.
Black Spade
- 1603-22E
16A MOM. ON-ON S.P.D.T.
White Spade
- 1604-11E
16A ON-OFF-ON S.P.D.T.
Black Spade
- 1604-22E
16A ON-OFF-ON S.P.D.T.
White Spade
- 1605-22E
16A OFF-MOM. ON S.P.S.T.
White Spade
- 1606-11E
6A MOM. ON-OFF-MOM. ON
S.P.D.T. Black Spade
- 1606-22E
6A MOM. ON-OFF-MOM. ON
S.P.D.T. White Spade
- 1607-11E
6A ON-OFF-MOM. ON S.P.D.T.
Black Spade

2600 Series

Hole size: 27.3 X 22.2mm.

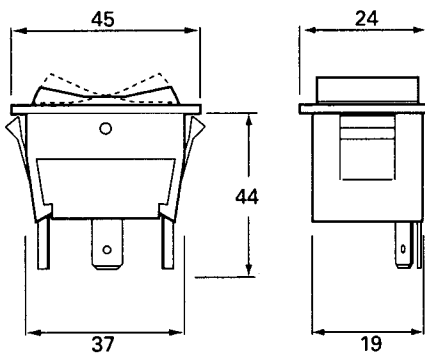


- 2600-11E
16A OFF-ON D.P.S.T.
Black Spade
- 2600-12E
16A OFF-ON D.P.S.T.
Black Spade
- 2600-22E
16A OFF-ON D.P.S.T.
White Spade

- 2600-G21E
16A OFF-ON D.P.S.T.
Green Black Spade
- 2600-R21E
16A OFF-ON D.P.S.T.
Red Black Spade
- 2600-A21E
16A OFF-ON D.P.S.T.
Amber Black Spade
- 2601-11E
16A MOM. OFF-ON D.P.S.T.
Black Spade
- 2601-22E
16A MOM. OFF-ON D.P.S.T.
White Spade
- 2602-11E
16A ON-ON D.P.D.T.
Black Spade
- 2602-21E
16A ON-ON D.P.D.T.
White Spade
- 2602-22E
16A ON-ON D.P.D.T.
White Spade
- 2603-11E
16A MOM. ON-ON D.P.D.T.
Black Spade
- 2603-22E
16A MOM. ON-ON D.P.D.T.
White Spade
- 2604-11E
16A ON-OFF-ON D.P.D.T.
Black Spade
- 2604-22E
16A ON-OFF-ON D.P.D.T.
White Spade
- 2605-11E
16A OFF-MOM. ON D.P.S.T.
Black Spade
- 2606-11E
6A MOM. ON-OFF MOM. ON
D.P.D.T. Black Spade
- 2606-22E
6A MOM. ON-OFF MOM. ON
D.P.D.T. White Spade

93P Series

Hole size: 38.1 X 20.7mm.



93P.101.11A
10A ON-OFF-ON S.P.D.T.
Black Screw

93P.101.11B
10A ON-OFF-ON S.P.D.T.
Black Solder

93P.101.11E
10A ON-OFF-ON S.P.D.T.
Black Spade

93P.101.22A
10A ON-OFF-ON S.P.D.T.
White Screw

93P.101.22E
10A ON-OFF-ON S.P.D.T.
White Spade

93P.102.11A
10A ON-OFF-ON D.P.D.T.
Black Screw

93P.102.11B
10A ON-OFF-ON D.P.D.T.
Black Solder

93P.102.11E
10A ON-OFF-ON D.P.D.T.
Black Spade

93P.102.12E
10A ON-OFF-ON D.P.D.T.
White Spade

93P.102.21E
10A ON-OFF-ON D.P.D.T.
Black Spade

93P.102.22A
10A ON-OFF-ON D.P.D.T.
White Screw

93P.102.22B
10A ON-OFF-ON D.P.D.T.
White Solder

93P.102.22E
10A ON-OFF-ON D.P.D.T.
White Spade

93P.111.11A
10A OFF-ON(A)-ON(A&B) S.P.
2-Circuit Collective Black Screw

93P.111.11E
10A OFF-ON(A)-ON(A&B) S.P.
2-Circuit Collective Black Spade

93P.111.21E
10A OFF-ON(A)-ON(A&B) S.P.
2-Circuit Collective Black Spade

93P.111.22A
10A OFF-ON(A)-ON(A&B) S.P.
2-Circuit Collective White Screw

93P.111.22E
10A OFF-ON(A)-ON(A&B) S.P.
2-Circuit Collective White Spade

93P.121.11A
10A ON(A)-ON(B)-ON(C) S.P.
3-Circuit Selective Black Screw

93P.121.11E
10A ON(A)-ON(B)-ON(C) S.P.
3-Circuit Selective Black Spade

93P.121.22A
10A ON(A)-ON(B)-ON(C) S.P.
3-Circuit Selective White Screw

93P.121.22E
10A ON(A)-ON(B)-ON(C) S.P.
3-Circuit Selective White Spade

93P.122.11E
10A ON(A)-ON(B)-ON(C) S.P.
3-Circuit Selective Black Spade

93P.123.11A
10A OFF-ON(A)-ON(B) S.P.
2-Circuit Selective Black Screw

93P.123.11E
10A OFF-ON(A)-ON(B) S.P.
2-Circuit Selective Black Spade

93P.123.22A
10A OFF-ON(A)-ON(B) S.P.
2-Circuit Selective White Screw

93P.123.22E
10A OFF-ON(A)-ON(B) S.P.
2-Circuit Selective White Spade

93P.125.11A
10A SERIES - PARALLEL
SERIES/PARALLEL Black Screw

93P.125.11E
10A SERIES - PARALLEL
SERIES/PARALLEL Black Spade

93P.125.22A
10A SERIES - PARALLEL
SERIES/PARALLEL White Screw

93P.125.22E
10A SERIES - PARALLEL
SERIES/PARALLEL White Spade

93P.202.11A
10A MOM. ON-OFF-ON D.P.D.T.
Black Screw

93P.202.11E
10A MOM. ON-OFF-ON D.P.D.T.
Black Spade

93P.202.22A
10A MOM. ON-OFF-ON D.P.D.T.
White Screw

93P.202.22E
10A MOM. ON-OFF-ON D.P.D.T.
White Spade

93P.302.11A
10A MOM. ON-OFF-MOM. ON
D.P.D.T. Black Screw

93P.302.11E
10A MOM. ON-OFF-MOM. ON
D.P.D.T. Black Spade

93P.302.12E
10A MOM. ON-OFF-MOM. ON
D.P.D.T. White Screw

93P.302.22A
10A MOM. ON-OFF-MOM. ON
D.P.D.T. White Screw

93P.302.22E
10A MOM. ON-OFF-MOM. ON
D.P.D.T. White Spade

93P.401.11A
10A OFF-ON S.P.D.T.
Black Screw

93P.401.11B
10A OFF-ON S.P.D.T.
Black Solder

93P.401.11E
10A OFF-ON S.P.D.T.
Black Spade

93P.401.22A
10A OFF-ON S.P.D.T.
White Screw

93P.401.22E
10A OFF-ON S.P.D.T.
White Spade

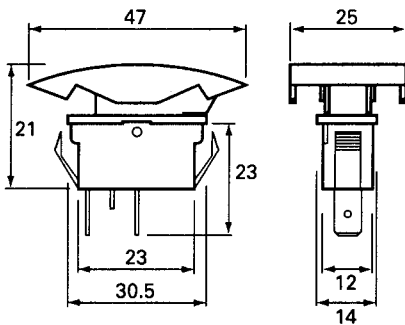
93P.402.11A
10A ON-ON D.P.D.T.
Black Screw

93P.402.11E 10A ON-ON D.P.D.T. Black Spade	93P.502.22E 10A ON-MOM. ON D.P.D.T. White Spade	93PNA.4041A 10A OFF-ON D.P.S.T. Amber Illuminated Black Screw
93P.402.12A 10A ON-ON D.P.D.T. White Screw	93P.507.11A 10A OFF-MOM. ON S.P.S.T. Black Screw	93PNG.4031A 10A OFF-ON S.P.S.T. Green Illuminated Black Screw
93P.402.21E 10A ON-ON D.P.D.T. Black Spade	93P.507.11E 10A OFF-MOM. ON S.P.S.T. Black Spade	93PNG.4031E 10A OFF-ON S.P.S.T. Green Illuminated Black Spade
93P.402.22A 10A ON-ON D.P.D.T. White Screw	93P.507.22A 10A OFF-MOM. ON S.P.S.T. White Screw	93PNG.4032A 10A OFF-ON S.P.S.T. Green Illuminated White Screw
93P.402.22E 10A ON-ON D.P.D.T. White Spade	93P.507.22E 10A OFF-MOM. ON S.P.S.T. White Spade	93PNG.4032E 10A OFF-ON S.P.S.T. Green Illuminated White Spade
93P.403.11A 10A OFF-ON S.P.S.T. Black Screw	93P.508.11A 10A MOM. OFF-ON S.P.S.T. Black Screw	93PNG.4041A 10A OFF-ON D.P.S.T. Green Illuminated Black Screw
93P.403.11E 10A OFF-ON S.P.S.T. Black Spade	93P.508.11E 10A MOM. OFF-ON S.P.S.T. Black Spade	93PNG.4041E 10A OFF-ON D.P.S.T. Green Illuminated Black Spade
93P.403.12E 10A OFF-ON S.P.S.T. White Spade	93P.508.22A 10A MOM. OFF-ON S.P.S.T. White Screw	93PNG.4042A 10A OFF-ON D.P.S.T. Green Illuminated White Screw
93P.403.22A 10A OFF-ON S.P.S.T. White Screw	93P.508.22E 10A MOM. OFF-ON S.P.S.T. White Spade	93PNG.4042E 10A OFF-ON D.P.S.T. Green Illuminated White Spade
93P.403.22E 10A OFF-ON S.P.S.T. White Spade	93P.509.11A 10A OFF-MOM. ON D.P.S.T. Black Screw	93PNR.4011A 10A ON-ON S.P.S.T. Red Illuminated Black Screw
93P.404.11A 10A OFF-ON D.P.S.T. Black Screw	93P.509.11E 10A OFF-MOM. ON D.P.S.T. Black Spade	93PNR.4021A 10A ON-ON D.P.D.T. Red Illuminated Black Screw
93P.404.11E 10A OFF-ON D.P.S.T. Black Spade	93P.509.22A 10A OFF-MOM. ON D.P.S.T. White Screw	93PNR.4031E 10A OFF-ON S.P.S.T. Red Illuminated Black Spade
93P.404.22A 10A OFF-ON D.P.S.T. White Screw	93P.509.22E 10A OFF-MOM. ON D.P.S.T. White Spade	93PNR.4032A 10A OFF-ON S.P.S.T. Red Illuminated White Screw
93P.404.22E 10A OFF-ON D.P.S.T. White Spade	93P.510.11A 10A MOM. OFF-ON D.P.S.T. Black Screw	93PNR.4032E 10A OFF-ON S.P.S.T. Red Illuminated White Spade
93P.502.11A 10A ON-MOM. ON D.P.D.T. Black Screw	93P.510.11E 10A MOM. OFF-ON D.P.S.T. Black Spade	93PNR.4041A 10A OFF-ON S.P.S.T. Red Illuminated White Spade
93P.502.11E 10A ON-MOM. ON D.P.D.T. Black Spade	93P.510.22A 10A MOM. OFF-ON D.P.S.T. White Screw	
93P.502.22A 10A ON-MOM. ON D.P.D.T. White Screw	93P.510.22E 10A MOM. OFF-ON D.P.S.T. White Spade	

10A OFF-ON D.P.S.T.
Red Illuminated Black Screw
93PNR.4041E
10A OFF-ON D.P.D.T.
Red Illuminated Black Spade
93PNR.4042A
10A OFF-ON D.P.S.T.
Red Illuminated White Screw
93PNR.4042E
10A OFF-ON D.P.S.T.
Red Illuminated White Spade
93XP.10211E
15A ON-OFF-ON D.P.D.T.
Black Spade

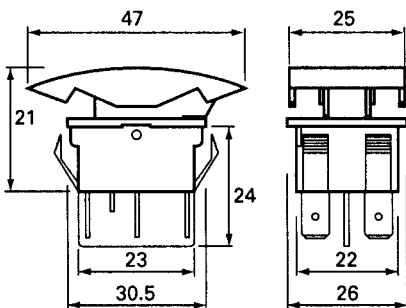
SPLASH GUARD Series

Hole size: 27.3 X 12.2mm.



B1600.11E
SPLASH GUARD Series
16A S.P.S.T. OFF-ON
Black Spade

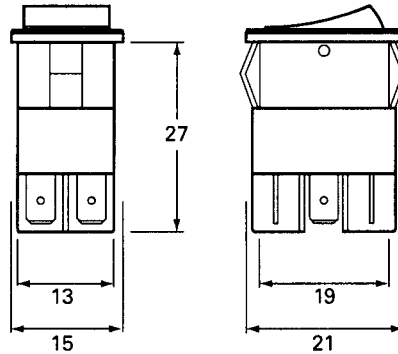
Hole size: 27.3 X 22.2mm.



B2600.11E
SPLASH GUARD Series
16A D.P.S.T. OFF-ON
Black Spade

ELITE (E110/E120) Series ILLUMINATED

Hole size: 19.5 x 12.9mm.



E110M11J
6A OFF-ON S.P.S.T.
Black 4.8mm Spade

E110M12B
6A OFF-ON S.P.S.T.
Black Solder

E110M13J
6A OFF-ON S.P.S.T.
Black 4.8mm Spade

E110M22J
6A OFF-ON S.P.S.T.
White 4.8mm Spade.

E110MR11J
6A OFF-ON S.P.S.T.
Red Illuminated
Black 4.8mm Spade

E110MR21J
6A OFF-ON S.P.S.T.
Red Illuminated
White 4.8mm Spade

E112M11J
6A ON-ON S.P.D.T.
Black 4.8mm Spade

E114M11J
6A ON-OFF-ON S.P.D.T.
Black 4.8mm Spade

E120M11J
6A ON-OFF D.P.S.T.
Black 4.8mm Spade

E120MA11J
6A ON-OFF D.P.S.T.
Amber Illuminated
Black 4.8mm Spade

E120MG11J
6A ON-OFF D.P.S.T.
Green Illuminated
Black 4.8mm Spade

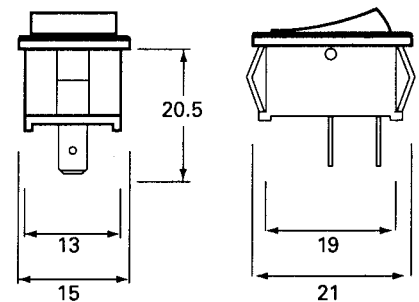
E120MA21J
6A ON-OFF D.P.S.T.
Amber Illuminated
White 4.8mm Spade

E120MR11J
6A ON-OFF D.P.S.T.
Red Illuminated
Black 4.8mm Spade

E120MR21J
6A ON-OFF D.P.S.T.
Red Illuminated
White 4.8mm Spade

E20M & E30M ELITE Series

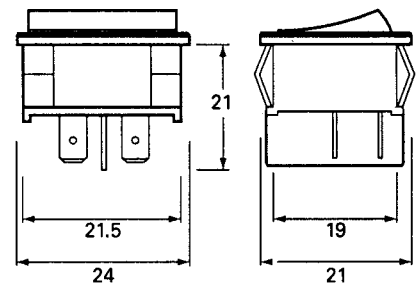
Hole size: 19.5 x 12.9mm.



E20M11J
10A OFF-ON S.P.S.T.
Black 4.8mm Spade

E20M22J
10A OFF-ON S.P.S.T.
White 4.8mm Spade

Hole size: 19.5 x 12.9mm.



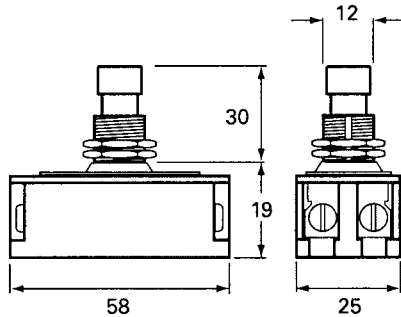
E30M11J
10A OFF-ON D.P.S.T.
Black 4.8mm Spade

E30M22J
10A OFF-ON D.P.S.T.
White 4.8mm Spade

PUSH BUTTON

72 Series

Hole size: 12mm. diameter.



7228K2

10A BIASED OFF, PRESS ON
D.P.S.T. Screw

7228K3

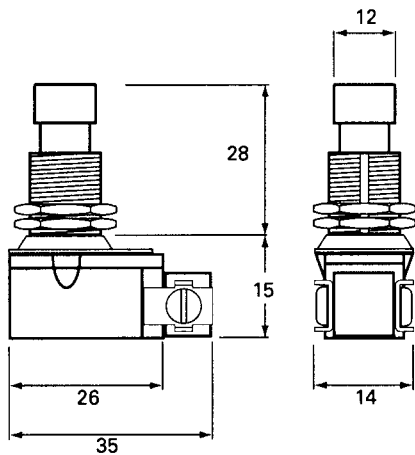
10A BIASED ON, PRESS OFF
D.P.S.T. Screw

7229K2

10A PRESS ON PRESS OFF
D.P.S.T. Screw

79 Series

Hole size: 12mm. diameter.



79143M

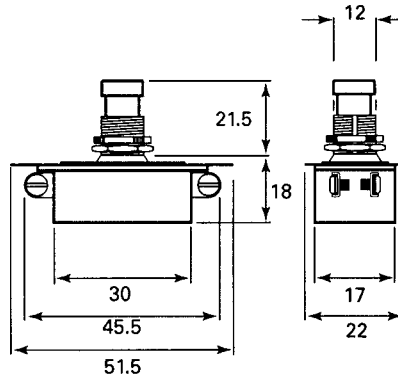
4A PRESS ON, PRESS OFF
S.P.S.T. Spade 6.3mm.

79147M

4A PRESS ON, PRESS OFF
S.P.S.T. Screw

81 Series

Hole size: 12mm. diameter.



81247A

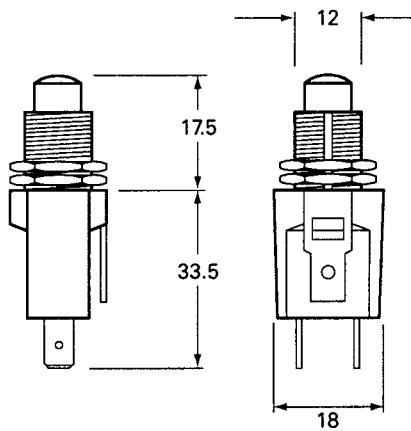
3A BIASED ON PRESS OFF
S.P.S.T. Screw

81247E

3A BIASED OFF PRESS ON
S.P.S.T. Screw

S30 Series

Hole size: 12mm. diameter.



S30AE

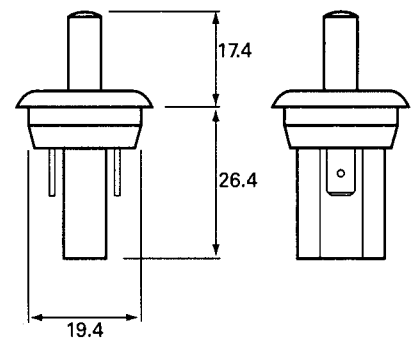
.25A BIASED OFF, PRESS ON
NORM/OPEN S.P.S.T.
Spade 6.3mm.

S30E

.25A BIASED ON, PRESS OFF
NORM/CLOSED S.P.S.T.
Spade 6.3mm.

S50/S51 Series

Hole size: 19.4mm. diameter.



S50E

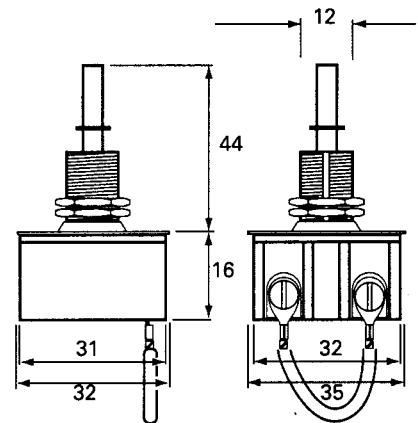
.5A BIASED ON, PRESS OFF
NORM/CLOSED S.P.S.T.
Spade 6.3mm.

S51E

.25A BIASED OFF PRESS ON
NORM/OPEN S.P.S.T.
Spade 6.3mm.

WP Series

Hole size: 12mm. diameter.

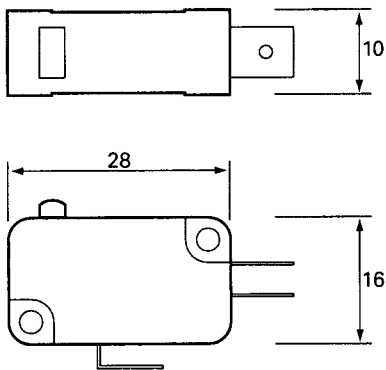


WP32365A

15A BIASED ON, PRESS OFF
Screw plunger 20.6mm.

MICRO SWITCHES

5000 Series



5001E

10A ON-PRESS OFF-NORM/CLOSED S.P.S.T.
Spade 6.3mm.
(limited availability.)

5001LE

10A ON-PRESS OFF-NORM/CLOSED S.P.S.T.
Extended Lever Spade 6.3mm.

5001PBE

10A ON-PRESS OFF-NORM/CLOSED S.P.S.T.
Push Button Spade 6.3mm.

5002E

10A OFF-PRESS ON-NORM/OPEN S.P.S.T.
Spade 6.3mm.

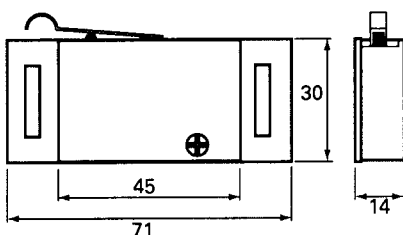
5002LE

10A OFF-PRESS ON-NORM/OPEN S.P.S.T.
Extended Lever Spade 6.3mm.

5002PBE

10A OFF-PRESS ON-NORM/OPEN S.P.S.T.
Push Button Spade 6.3mm.

AH6006 Series



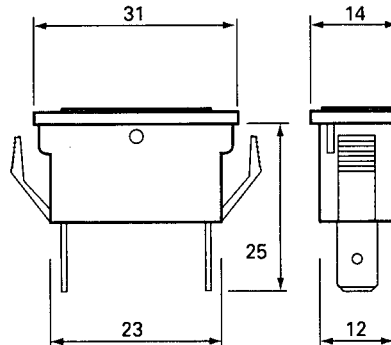
AH6006

10A BIASED ON, PRESS OFF
NC S.P.S.T. Lever Screw

INDICATOR - PILOT

1609 Series

Hole size: 27.3 X 12.2mm.



1609-A21E

Amber Black Spade

1609-A22E

Amber White Spade

1609-G21E

Green Black Spade

1609-R21E

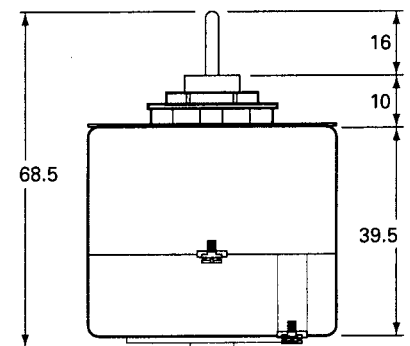
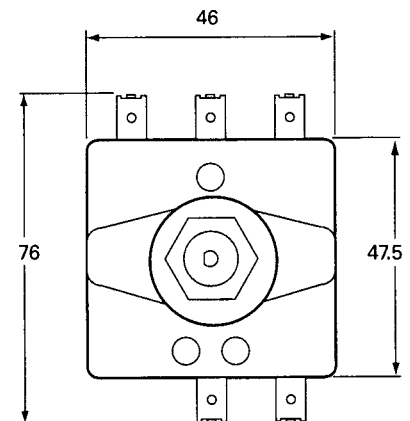
Red Black Spade

1609-R22E

Red White Spade

ROTARY SWITCHES

19566 Series



19566AGD

35A 3 HEAT 4 POSITION

7.93mm Bushing Length Screw

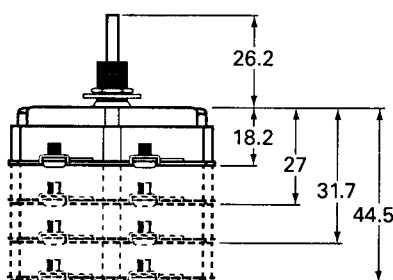
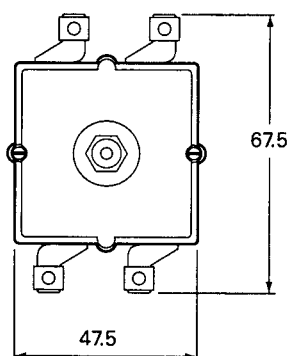
19566AGD-E

35A 3 HEAT 4 POSITION

7.93mm Bushing Length Spade

64JD Series

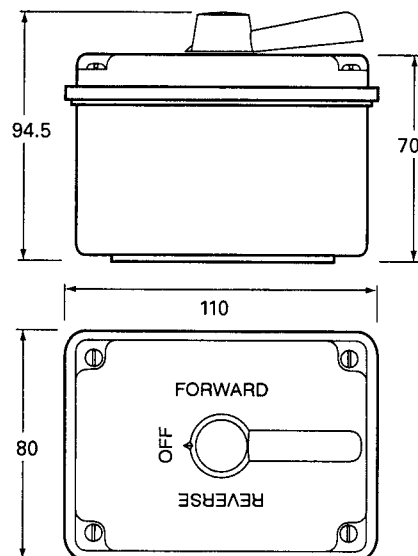
Hole size: 11.1mm diameter.



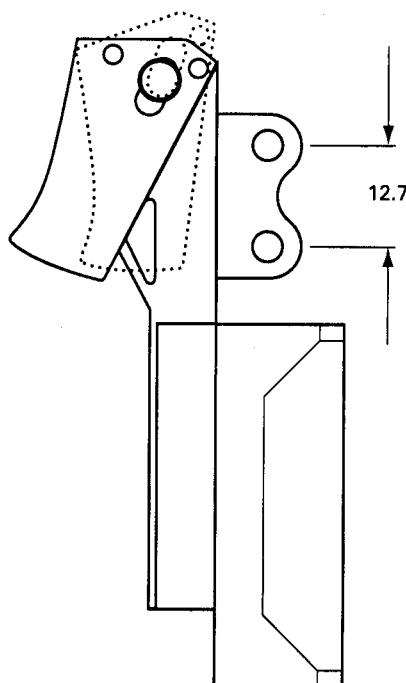
- 64JD0004A
D.P. ON-OFF 90° MOVEMENT
1 LAYER.
- 64JD0009A
3 Circuit Collective S.P. 2 LAYER.
- 64JD0011A
3 HEAT S.P. 2 LAYER.
- 64JD0014A
T.P. ON-OFF 90° MOVEMENT
2 LAYER.
- 64JD0034A
2 Circuit Selective S.P. 1 LAYER.
- 64JD0258A
3 HEAT D.P. 2 LAYER.
- 64JD7506A
4 POSITION 3 LAYER.
- 64YD7505B
4 POSITION 2 LAYER.
- 64YD7509B
4 POSITION 2 LAYER.
- 65JD8204A
5 POSITION 2 LAYER.
- 66JD0778B
6 POSITION 1 LAYER.

NB. 16A-250V AC Resistive
10A-380V AC Resistive
7.5A-440V AC Resistive

P64 Series



- P640117AB
16A 3 POSITION REVERSING
BIASED enclosed
 - P640117ABU
16A 3 POSITION REVERSING
BIASED unenclosed inc. handle
 - P64P1
ENCLOSURE Suit rotary Switch
- TRIGGER SWITCHES**



PT2A Series

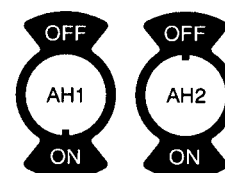
- PT211A11B
10A D.P.S.T. Side mount Lock pin

- PT2A21B
10A D.P.S.T. Side mount No pin

863 Series

- 8632K20
8A 250V D.P.S.T. Side mounting
(Replaces T606A) No pin
- 8632K21
8A 250V D.P.S.T. Side mounting
(Replaces T605A) Lock pin

ACCESSORIES



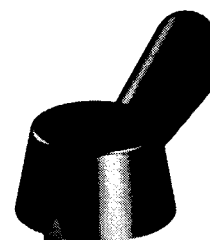
- AH1
INDICATOR NAMEPLATE
- AH2
INDICATOR NAMEPLATE
(Reversed)



- AH30N
NUT Slotted sides 19mm. O.D.
Fits 12mm Thread.



- AH7N
WATER PROOF NUT
Fits 12mm Thread.



- P6414
POINTER HANDLE Suit rotary
switches



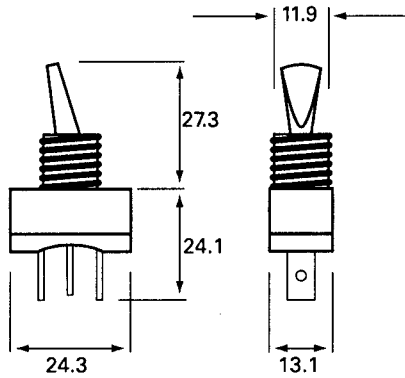
- P643H
KNOB OFF/LOW/MED/HIGH
Suit rotary switches

Swann

TOGGLE SWITCHES

Swann 475 Series

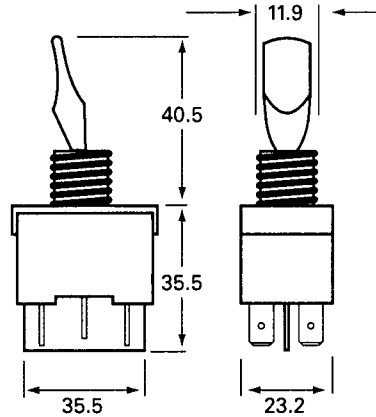
Hole Size: 12mm diameter



- A1
10A S.P.S.T. ON-OFF
Black toggle
- A7
10A S.P.D.T. ON-ON
Black toggle
- A8
10A S.P.S.T. ON-OFF
Black toggle
- A10
10A S.P.S.T. ON-OFF
Metal toggle
- A46
10A S.P.D.T. ON-OFF-ON
Black toggle
- A53
10A S.P.S.T. ON-OFF
Black barrel toggle
- A79
10A S.P.S.T. ON-ON
Suits Chef
Beige barrel toggle

Swann 875 Series

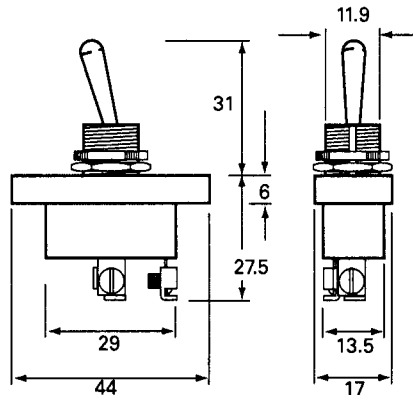
Hole Size: 12mm diameter



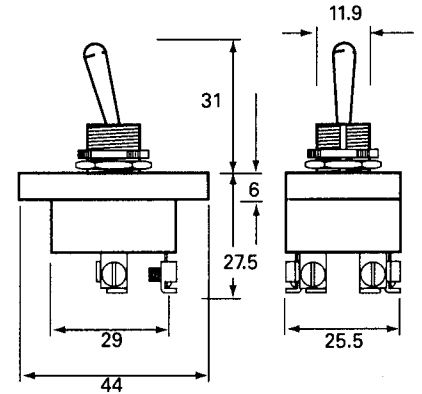
- A11
16A D.P.D.T. ON-ON
Metal toggle
- A12
16A D.P.D.T. ON-OFF-ON
Black toggle
- A61
16A D.P.S.T. ON-OFF
Black toggle

Arcoelectric toggle series

Hole Size: 12mm diameter



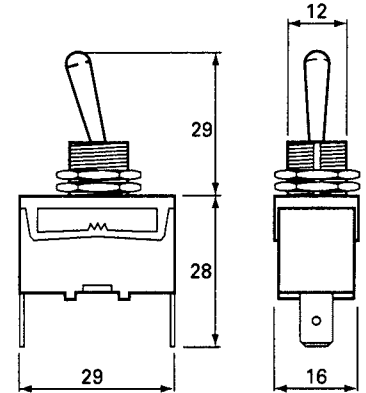
- S12
13A S.P.S.T. ON-OFF
Metal toggle
- S13
13A S.P.S.T. ON-ON
Metal toggle
- S14
13A S.P.S.T. ON-OFF-ON
Metal toggle



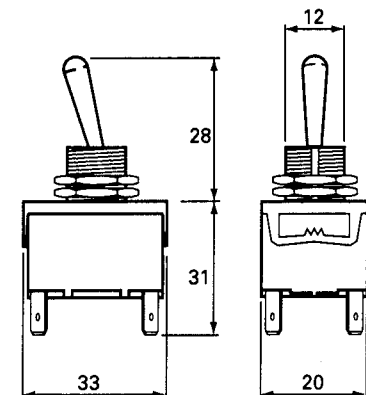
- S15
13A D.P.S.T. ON-OFF
Metal toggle
- S16
13A D.P.S.T. ON-ON
Metal toggle
- S17
13A D.P.S.T. ON-OFF-ON
Metal toggle

N.A.W. toggle series

Hole size: 12mm diameter



- TO-11A
10A S.P.S.T. ON-OFF

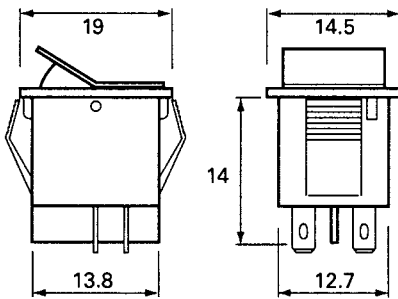


- TO-21
15A D.P.S.T. ON-OFF

ROCKER SWITCHES

Swann 21 Series

Hole Size: 15.9 x 13mm

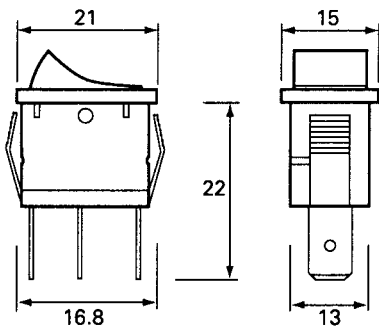


A33
4A D.P.S.T. ON-OFF
White rocker



Swann 23 Series

Hole Size: 19.3 x 13.2mm

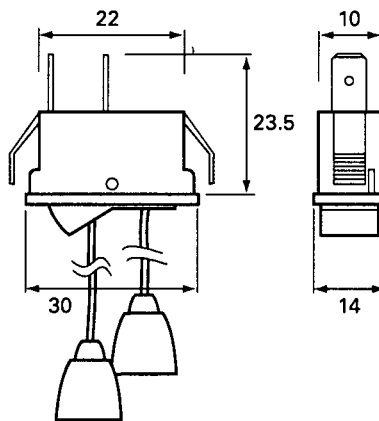


A65
4A S.P.S.T. ON-OFF
Red illuminated rocker



Swann 38 series

Hole Size: 27.3 x 12.2mm

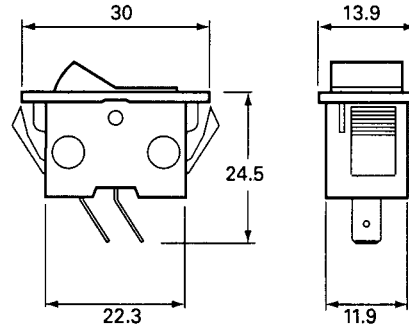


S7
10A S.P.S.T. ON-OFF
Cord pull switch
Cord Length: 530 mm



Swann 39 Series

Hole Size: 27.5 x 12.2mm

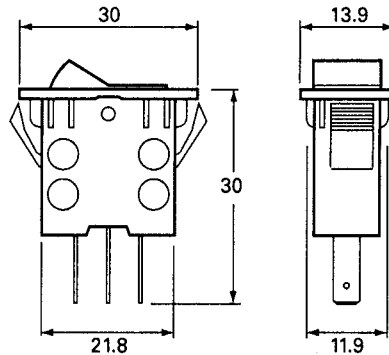


A52
10A S.P.S.T. ON-OFF
Black rocker



Swann 40 Series

Hole Size: 27.5 x 12.2mm



A2
15A S.P.D.T. ON-MOM.ON
White rocker with momentary
on position used in tumble
dryers



A4
15A S.P.D.T. ON-ON
Black rocker



A4S
12A S.P.D.T. ON-OFF-ON
Black rocker

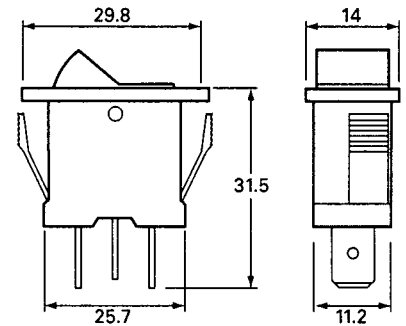


A67
15A S.P.S.T. ON-OFF
Amber illuminated rocker

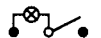


Swann 41 Series

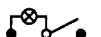
Hole Size: 28.4 x 11.5mm



A5
15A S.P.S.T. ON-OFF
Amber illuminated rocker

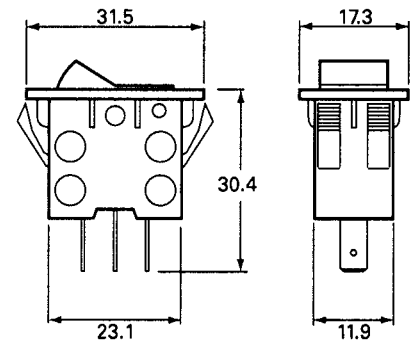


A6
15A S.P.S.T. ON-OFF
Red illuminated rocker



Swann 43 Series

Hole Size: 28.6 x 14mm

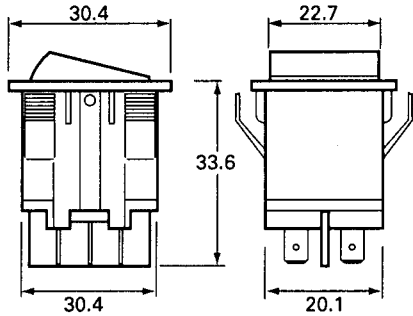



S10
10A S.P.S.T. ON-OFF
Red illuminated rocker




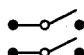
Swann 50 series

Hole Size: 27.2 x 22.3mm



A13
15A D.P.S.T. ON-OFF
Black rocker 

A14
15A D.P.D.T. ON-ON
Red illuminated rocker 

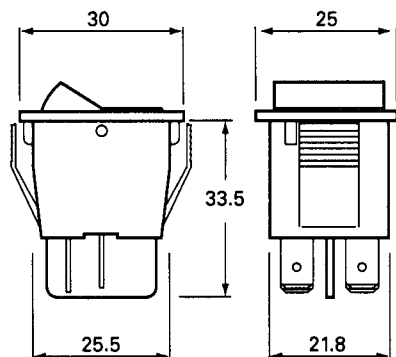
A63
15A D.P.D.T. ON-ON
Black rocker 


S6
15A D.P.S.T. ON-OFF
Red illuminated rocker 

S6A
15A D.P.S.T. ON-OFF
Amber illuminated rocker 

Swann 51 series

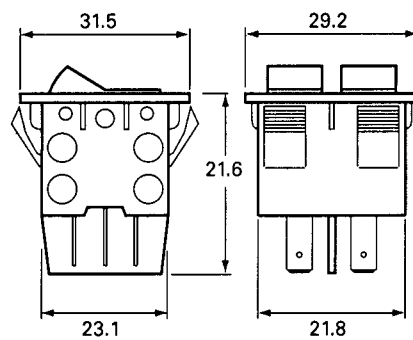
Hole Size: 28.6 x 22.2mm




A71
15A D.P.S.T. ON-OFF
Red illuminated rocker 

Swann 54 Series

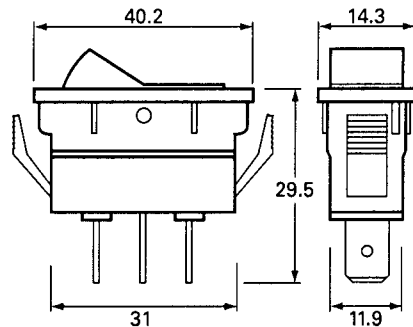
Hole Size: 28.6 x 25.4mm

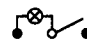


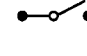
S5
15A D.P.D.T. ON-OFF
(Each switch)
2 Red illuminated rockers 


Swann 70 series

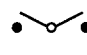
Hole Size: 37.9 x 12.3mm

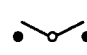


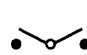
A15
15A S.P.S.T. ON-OFF
Red illuminated rocker 

A16
15A S.P.D.T. ON-ON
Black rocker 

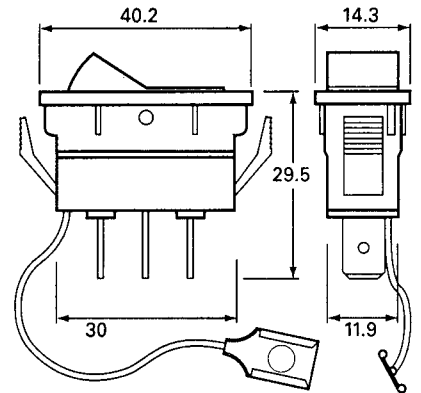
A50
12A S.P.D.T. ON-OFF-ON
White rocker 


A51
12A S.P.D.T. ON-OFF-ON
Rotary arm 

A68
12A S.P.D.T. ON-OFF-ON
Black rocker 

A75
15A S.P.D.T. ON-OFF-ON
Black rocker 

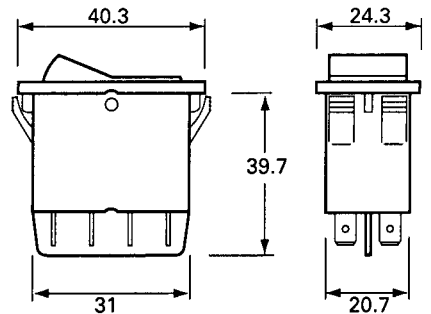
SWANN 70 A78.

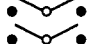


A78
15A S.P.S.T. ON-OFF-ON
Red illuminated rocker 

Swann 82 Series

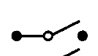
Hole Size: 36.6 x 21mm



A18
12A D.P.D.T. ON-OFF-ON
Black rocker 

A76
12A D.P.D.T. ON-OFF-ON
White rocker 

S1
12A D.P.D.T. ON-OFF-ON
Red illuminated rocker 

S2
12A D.P.D.T. ON-ON
Black rocker 

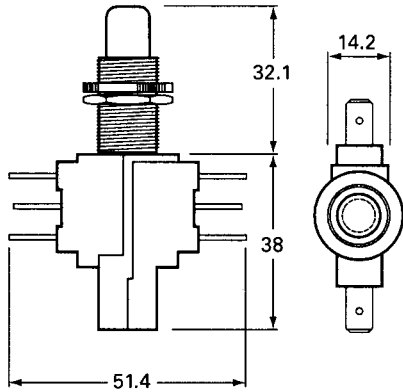
S3
12A D.P.D.T. ON-OFF
Amber illuminated rocker 

S4
12A D.P.D.T. ON-OFF
Red illuminated rocker 

PUSH BUTTON SWITCHES

Swann 42 series

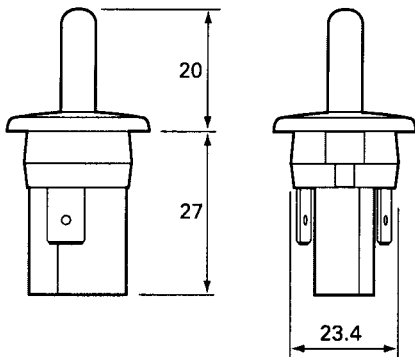
Hole Size: 15mm diameter



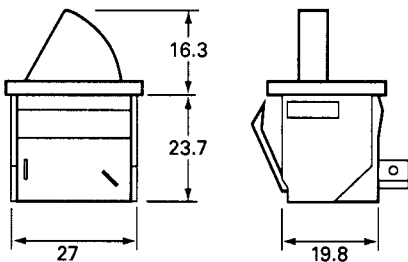
A21
10A D.P.D.T. ON-ON



Swann 61 series



A69
0.25A S.P.S.T. ON-OFF
Hole Size: 19mm diameter
Refrigerator door switch.

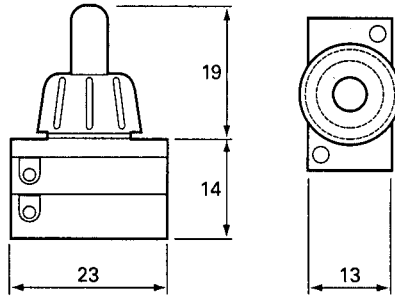


A70
0.25A S.P.S.T. ON-OFF
Hole Size: 22.9 x 27.5mm
Refrigerator door switch.



Swann 661 series

Hole Size: 8.5mm diameter



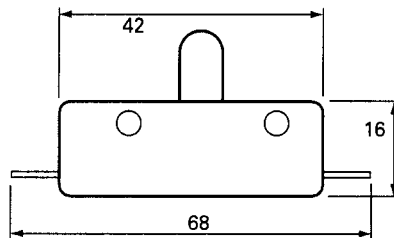
A47
1A D.P.S.T. ON-OFF



MICRO SWITCHES

Swann 56 Series

Hole size: 3.7 x 4.5 x 3.7mm

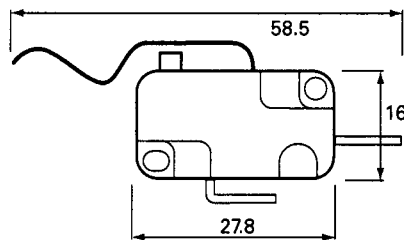


dia.
A59
Lid switch
15A S.P.S.T. ON-OFF

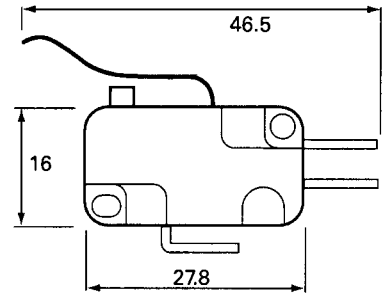


Swann 57 Series

Hole size: 3 x 3.5 x 3mm dia.



A57
Door switch
15A S.P.D.T. ON-MOM.ON



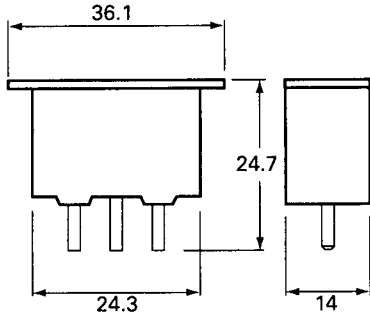
A58
Motor switch
15A S.P.D.T. ON-MOM.ON



SELECTOR SWITCH

Swann 46 Series

Hole size: 25 x 15mm



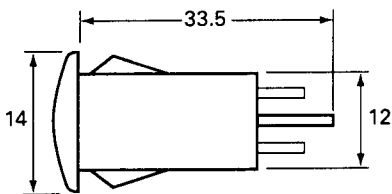
A54
15A S.P.D.T. ON-ON
No lever



INDICATORS

Swann 1200 Series

Hole Size: 12mm diameter

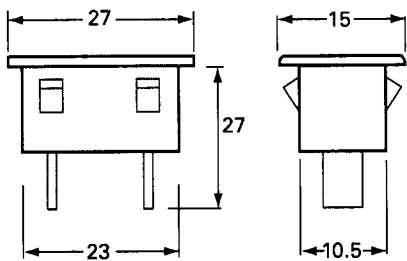


A26
0.3w Red Round



Swann 2300 Series

Hole Size: 24 x 11mm

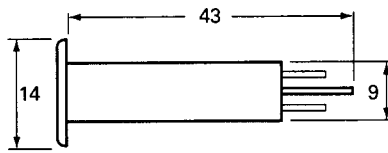


A23
0.3w Red Rectangle

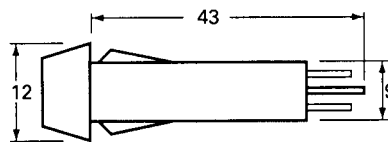


Swann 9000 series

Hole size 9.5mm diameter



A28
0.3w Red Square



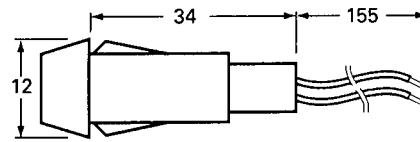
A29
0.3w Red Round



A29A
0.3w Amber Round



A29G
0.3w Green Round

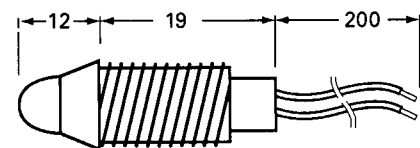


A30
0.3w Red Round



THREADED INDICATORS

Hole size 12mm diameter



A72A
0.3w Amber Round



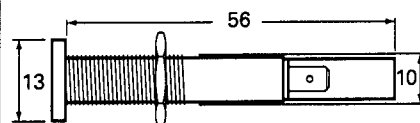
A72G
0.3w Green Round



A72R
0.3w Red Round



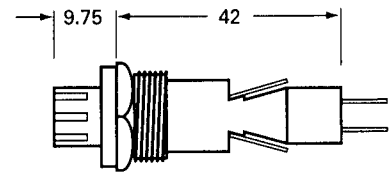
Hole size: 10mm diameter



SL275QC
230V Red Round



FUSE HOLDERS



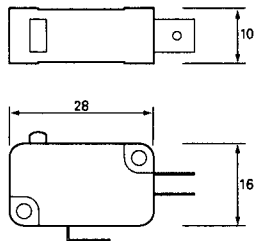
347

Finger release
screw in cap.
Hole size: 4.5mm dia.

Cherry

MINIATURE INTERNATIONAL

Cherry D4 Series



Cherry D44 Series

D443 - R1AA
10A S.P.D.T. Micro
Button Actuator,
4.8mm QC terminals.

D443 - R1LD
10A S.P.D.T. Micro
35.5mm Lever Actuator,
4.8mm QC terminals.

D443 - R1RC
10A S.P.D.T. Micro
34mm Roller Lever,
4.8mm QC terminals.

D443 - V1AA
10A S.P.D.T. Micro
Button Actuator,
6.4mm QC terminals.

Cherry D45 Series

D453 - R1AA
15A S.P.D.T. Micro
Button Actuator,
4.8mm QC terminals.

D453 - R1LD
15A S.P.D.T. Micro
35.5mm Lever Actuator,
4.8mm QC terminals.

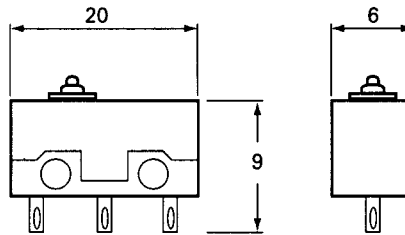
D453 - R1RC
15A S.P.D.T. Micro
34mm Roller Lever,
6.4mm QC terminals.

D453 - V1LD
15A S.P.D.T. Micro
35.5mm Lever Actuator,
6.4mm QC terminals.

D453 - V1RC
15A S.P.D.T. Micro
34mm Roller Lever,
6.4mm QC terminals.

SUBMINIATURE WATERPROOF

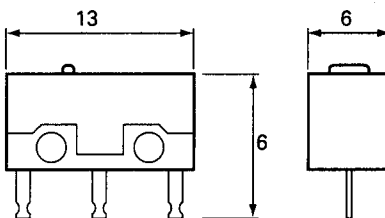
Cherry DC Series



DC2C - A1AA
10.1A S.P.D.T.
Sub - Miniature, W/Proof
Button Actuator

SUB - SUBMINIATURE

Cherry DG Series

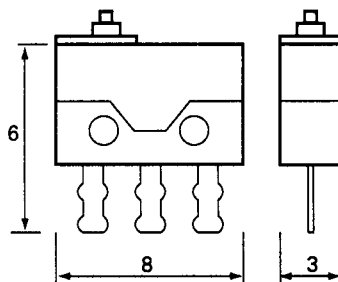


DG1C - B1AA
S.P.D.T. Sub - Subminiature
Lever Actuator 3A

DG1C - B1LA
S.P.D.T. Sub - Subminiature
Button Actuator 3A

ULTRA SUBMINIATURE

Cherry DH Series

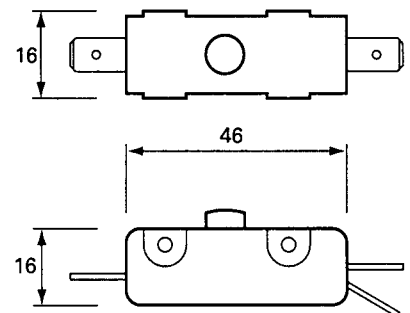


DH1C - B1AA
S.P.D.T. Ultra Subminiature
Button Actuator 50-500mA.

DH1C - B1PA
S.P.D.T. Ultra Subminiature
Lever Actuator 50-500mA.

GENERAL PURPOSE

Cherry E Series (Single Pole)



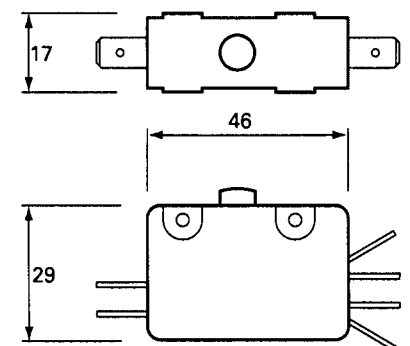
E13 - OOH
15A S.P.D.T. General purpose
Micro Lever Actuator

E13 - OQJ
15A S.P.D.T. General purpose
Micro Ferrule mount

E13 - OOK
15A S.P.D.T. General purpose
Micro Button Actuator

E13 - 39EC
20A S.P.S.T. Button Lid
switch

Cherry E Series (Double



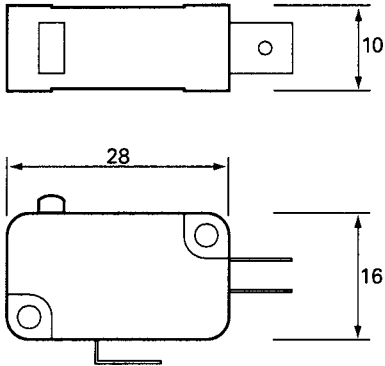
Pole)

E19 - OOA
15A D.P.D.T. General purpose
Micro Button Actuator

E19 - OOH
15A D.P.D.T. General purpose
Micro Lever Actuator

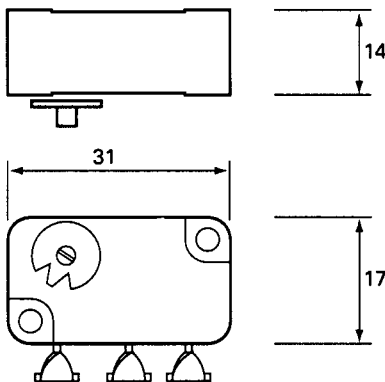
E19 - OOK
15A D.P.D.T. General purpose
Micro Roller Lever Actuator

HIGH CURRENT PRECISION SWITCH Cherry E33, E34 & 36 Series



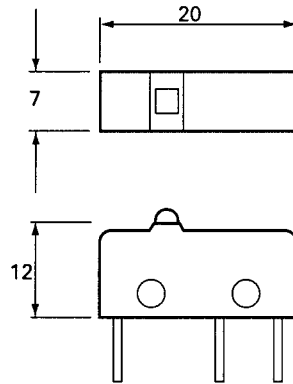
- E33 - 50KL
10A S.P.D.T. Micro Roller
Mini Light Force
- E34 - 40HD
15A S.P.S.T.
Lever Door Switch
- E34 - 72AX
15A S.P.S.T.
Lever Motor Switch
- E36 - 40A
25A S.P.D.T. High Current
Precision Micro
Button Actuator

LOW TORQUE Cherry E51 Series



- E51 - 00E
6A S.P.D.T. Low Torque
Lever Actuator (C.C.W.)

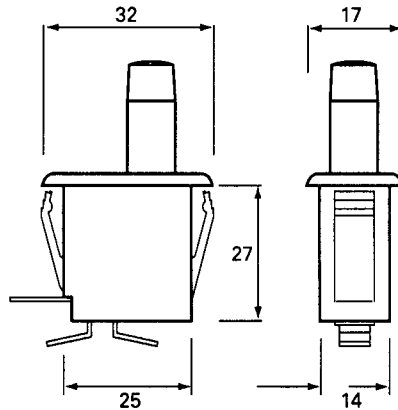
SUBMINIATURE Cherry E62 Series



- E62 - OOK
10A S.P.D.T.
Subminiature Micro
Roller Lever Actuator
- E62 - OOR
10A S.P.D.T.
Subminiature Micro
Lever Actuator

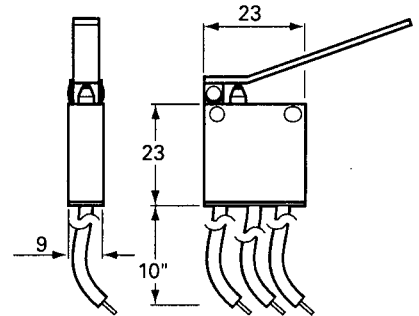
PANEL MOUNT, PUSH BUTTON

Cherry E69 Series



- E69 - OOA
10A S.P.D.T. 1/3 hp
Panel mount P/Button Micro
Momentary Action

WEATHERPROOF Cherry E70 Series



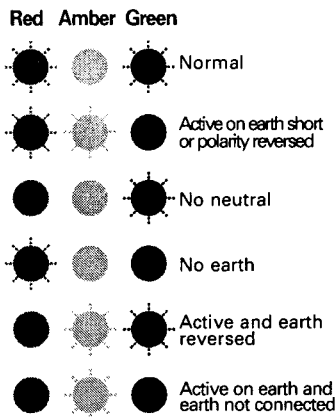
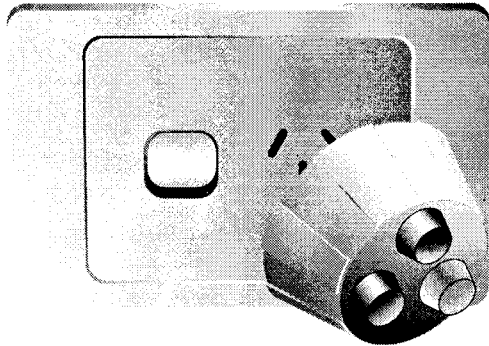
- E72 - 40H
10.1A S.P.D.T. W/Proof
Lever Actuator
(10" Leads attached)

ACCESSORIES

304

Power point Safety Tester

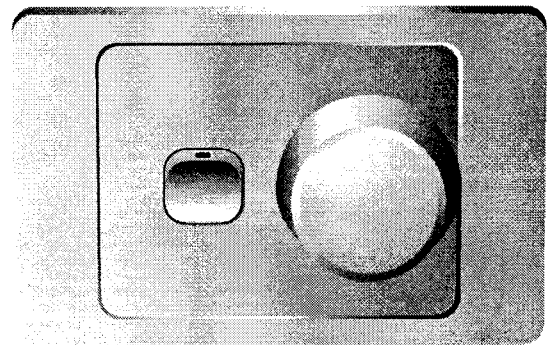
Will quickly detect the most common power point defects. Simply plug in, switch on and observe the lights.



305

NITE LITE

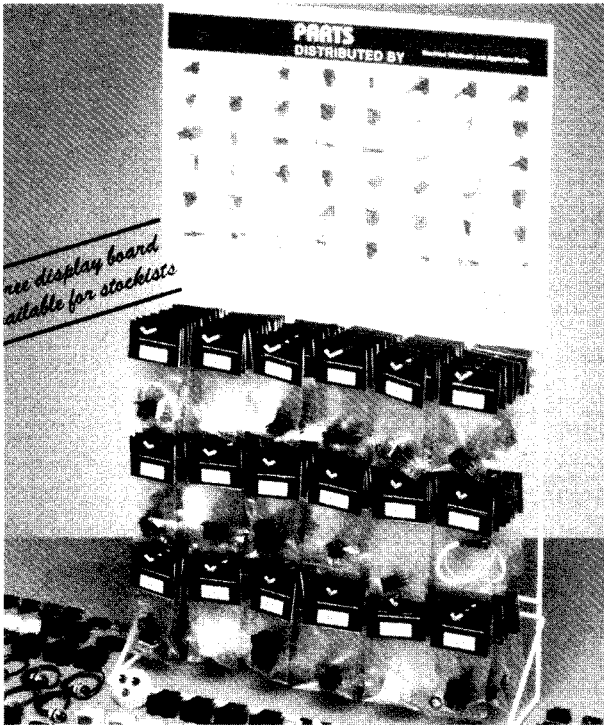
* Security
* Nurseries
* Hospitals
* Backstage lighting
Low cost, long lasting, low intensity illumination. Plug into a power point and leave on.



To assist with your merchandising these display stands are available from all Stokes Stockists:-

Arrow Hart Display Stand
"AHSM"
Contains this stock!

93A.403A x 5	1600.22E x 5
93A.404A x 5	2600.11E x 5
93A.402A x 5	1602.11E x 5
93A.101A x 5	1604.11E x 5
93A.102A x 5	1600R.21E x 5
80602BT x 5	S50E x 5
79047BT x 5	S30AE x 5



To assist with your merchandising these display stands are available from all Stokes Stockists:-

Swann Display Stand "SSM"

Contains this stock!

A1 x 5	A26 x 5
A2 x 5	A28 x 5
A4 x 5	A29 x 5
A7 x 5	A29A x 5
A8 x 5	A30 x 5
A10 x 5	A47 x 5
A13 x 5	A57 x 5
A14 x 5	A58 x 5
A16 x 5	304 x 5

Cherry Display Stand "CSM"

Contains this stock!

D443-R1AA x 3	E13-39EC x 3
D443-R1LD x 3	E13-OOH x 3
D443-V1AA x 3	E13-OOK x 3
D443-R1RC x 3	E19-OOA x 3
D453-R1LD x 3	E19-OOK x 3
D453-R1AA x 3	E19-OOH x 3
D453-V1LD x 3	E34-40HD x 3
D453-V1RC x 3	E34-72AX x 3
D453-R1RC x 3	E36-40A x 3
DH1C-B1AA x 3	E62-OOK x 3
DH1C-B1PA x 3	E62-ORR x 3
DG1C-B1LA x 3	E69-OOA x 3
DG1C-B1AA x 3	

